

Vibrant color printing for midsize workgroups

The Lexmark C748 color laser printers deliver high-quality color printing and reliable performance. Easy-to-use features and solutions increase efficiency. Eco-friendly features make responsible printing easy.



Color



4.3-in. Touch Screen



Up to 35 ppm



Solutions



Duplex



Network



Security



1,200 Standard Pages



Robust high-quality color

Rely on Lexmark C748 color laser printers for the high-quality color printing essential to business. Speed and reliability mean minimal waiting and few interruptions. You consistently and quickly receive vibrant documents.

- Match corporate colors on marketing collateral and brand-sensitive text and graphics with Lexmark Named Color Replacement and PANTONE® calibration.
- The high-speed processor and Gigabit Ethernet networking mean fast data transfer and fast processing, even on complex color documents.
- Print quickly at speeds up to 35 ppm and a time to first page as fast as 9 seconds in both black and color.
- Lexmark high-yield cartridges let you print up to 12,000 pages per cartridge in black and 10,000 pages per cartridge in color.¹

Productivity made easy

The combination of easy-to-use features and reliable performance means business processes are intuitive and you are productive. Increase efficiency with workflow-enhancing solutions and shortcuts designed to reduce unnecessary printing and simplify processes.

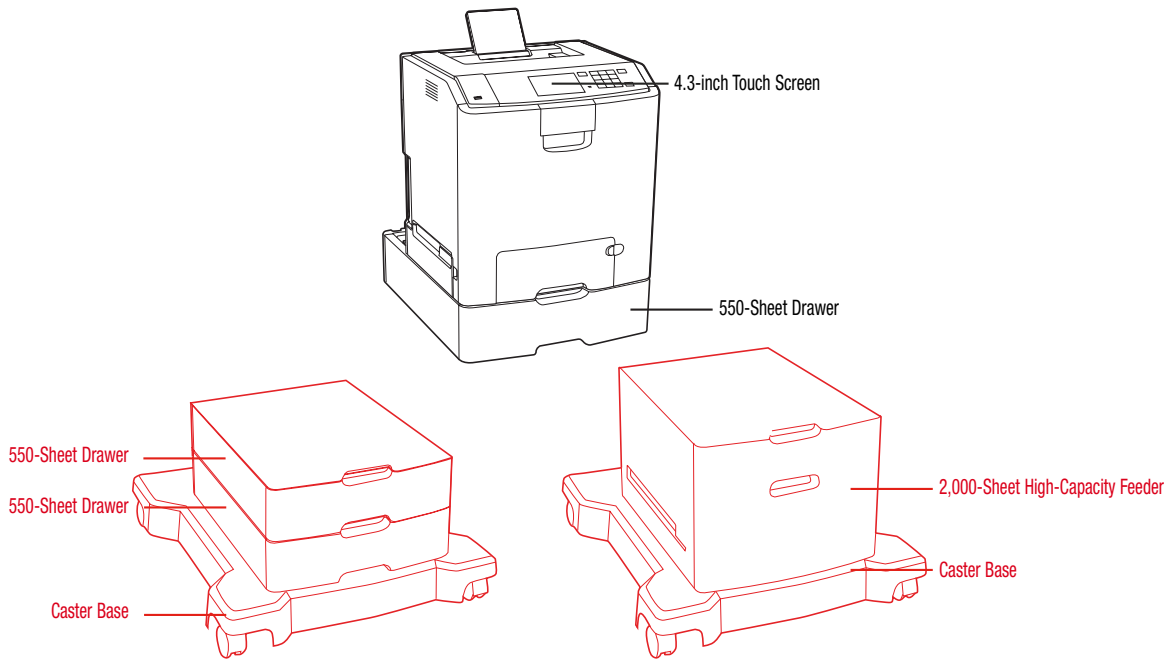
- The easy-to-use 4.3-inch color touch screen provides audible feedback and tablet-like navigation to make device operation intuitive and simple.
- Expand input capacity with optional paper drawers that let you load multiple paper types and boost total input capacity up to 4,300 sheets.
- Create customized messages to provide helpful information such as helpdesk telephone numbers.
- Easily manage supplies through programmable alerts that automatically send reorder notifications.

Sustainable by design

Environmentally friendly printing and energy-saving features make it easy to print responsibly. Use fewer raw materials with features that reduce the number of pages printed and free cartridge return and recycling programs.

- Use less electricity with Hibernate Mode, which reduces energy consumption to less than one watt and meets multiple energy management standards.
- Choose from multiple print settings that help reduce energy, paper and toner consumption using custom Eco-Settings.
- Cartridges are eligible for the Lexmark Cartridge Collection Program (LCCP), which offers a variety of free, easy return options designed for your business size and printing volume. For more information visit www.lexmark.com/recycle.²
- Reduce paper consumption by up to 50% and reduce your impact on the environment with two-sided printing.

Lexmark C748dte Color laser printer Product specifications



Product specifications

Lexmark C748dte Color laser printer

Printing	
Display	Lexmark e-Task 4.3-inch (10.9 cm) color touch screen with audible feedback
Print Speed: Up to	Black: 35 ppm / Color: 35 ppm
Time to First Page: As fast as	Black: 9 seconds / Color: 9 seconds
Print Resolution, Color	1200 x 1200 dpi, 4800 Color Quality (2400 x 600 dpi)
Processor	800 MHz
Memory	Standard: 512 MB / Maximum: 1536 MB
Hard Disk	Option available
Recommended Monthly Page Volume ³	2,500 - 10,000 pages
Maximum Monthly Duty Cycle: Up to ⁴	100,000 pages per month
Supplies	
Supplies Yield	10,000 ¹ -page color High Yield Toner Cartridges (CMY), 12,000 ¹ -page Black High Yield Toner Cartridge, 7,000 ¹ -page color (CMY) Toner Cartridges
Cartridge(s) Shipping with Product	10,000 ¹ -page color (CMY) High Yield Return Program Toner Cartridges, 12,000 ¹ -page Black High Yield Return Program Toner Cartridge
Paper Handling	
Paper Handling Standard	300-Sheet Output Bin, Integrated Duplex, 100-Sheet Multipurpose Feeder, 550-Sheet Drawer, 550-Sheet Input Tray
Paper Handling Optional	550-Sheet Drawer, 2,000-Sheet High-Capacity Feeder, 550-Sheet Specialty Media Drawer
Paper Input Capacity: Up to	Standard: 1200 pages 20 lb or 75 gsm bond / Maximum: 4300 pages 20 lb or 75 gsm bond
Paper Output Capacity: Up to	Standard: 300 pages 20 lb or 75 gsm bond / Maximum: 300 pages 20 lb or 75 gsm bond
Media Types Supported	Card Stock, Envelopes, Paper Labels, Plain Paper, Transparencies, Vinyl Labels, Refer to the Card Stock & Label Guide
Media Sizes Supported	10 Envelope, 7 3/4 Envelope, 9 Envelope, A4, A5, B5 Envelope, C5 Envelope, DL Envelope, B5, Executive, Folio, JIS-B5, Legal, Letter, Statement, Universal, Oficio, A6
General	
Standard Ports	USB 2.0 Specification Hi-Speed Certified (Type B), Front USB 2.0 Specification Hi-Speed Certified Port (Type A), Rear USB 2.0 Specification Hi-Speed Certified Port (Type A), Ethernet 10/100/1000 BaseTX (RJ-45)
Optional Network Ports	Internal MarkNet™ N8120 Gigabit Ethernet, Internal MarkNet™ N8250 802.11b/g/n Wireless
Optional Local Ports	Internal RS-232C serial, Internal 1284-B Bidirectional Parallel
Print Noise Level, Operating	55 dBA
Product Warranty	1-Year Onsite Service, Next Business Day
Energy Star	Yes
Specified Operating Environment	Temperature: 16 to 32°C (60 to 90°F), Humidity: 8 to 80% Relative Humidity, Altitude: 0 - 3048 Meters (10,000 Feet)
Size (in. - H x W x D)	22.9 x 17.1 x 21.5 in.
Weight (lb.)	66.4 lb.

¹ Average continuous black or composite CMY declared cartridge yield in accordance with ISO/IEC 19798.

² Not available in all countries.

³ "Recommended Monthly Page Volume" is a range of pages that helps customers evaluate Lexmark's product offerings based on the average number of pages customers plan to print on the device each month. Lexmark recommends that the number of pages per month be within the stated range for optimum device performance, based on factors including: supplies replacement intervals, paper loading intervals, speed, and typical customer usage.

⁴ "Maximum Monthly Duty Cycle" is defined as the maximum number of pages a device could deliver in a month using a multishift operation. This metric provides a comparison of robustness in relation to other Lexmark printers and MFPs.

