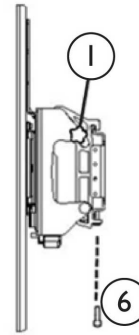
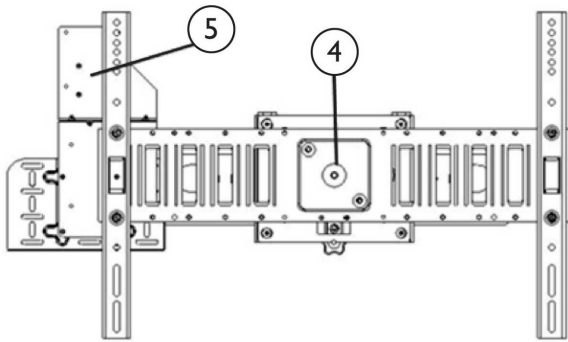
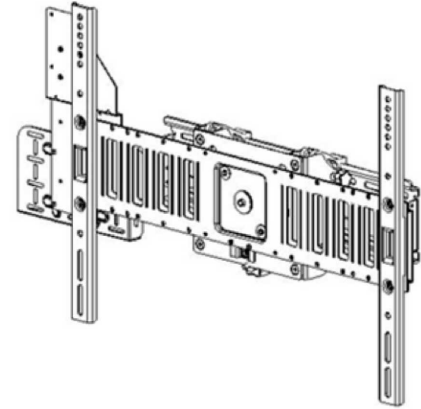
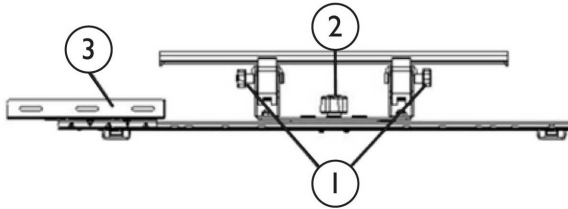


Overview - HP Digital Signage Wall Mount Solution



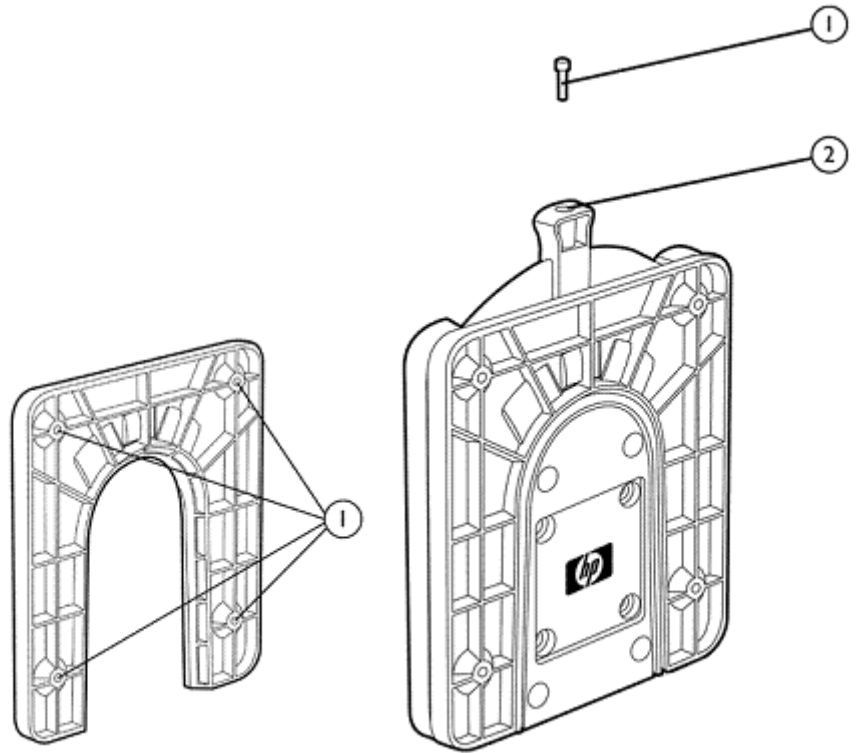
Wall Mount

1. Release/locking tilt adjustment
2. Pivot lock release
3. Mounting bracket for accessories. i.e. PC power brick
4. Pivot rotation 0 to 90 degrees clockwise
5. Four 100 mm VESA mount screw holes support HP Quick Release, compatible with HP Thin Client or HP 8000 Series USDT PC
6. Locking pin screw to secure release/locking arm

Security Plate

1. 100mm VESA hole pattern allows easy attach to HP thin client and ultra-slim desktop PCs
2. Added layer of protection to prevent unwanted access to PC controls

Overview - HP Digital Signage Wall Mount Solution



Quick Release

- | | | |
|---------------------------------------|---------------------------------------|--|
| 1. Release/locking | 1. Four 100 mm VESA mount screw holes | 1. Locking pin screw |
| 2. Four 100 mm VESA mount screw holes | | 2. Locking pin hole on release/locking arm |

Models

Part Numbers: WB975AA, WB976AA (EMEA only)
Wall Mount only: EM894AA

Introduction

HP offers a variety of optional products (each sold separately) designed to complement our monitors and enhance the overall computing and viewing experience. The HP Digital Signage Wall Mount Solution with Quick Release and Security Plate is the newest option designed for use with HP-branded LCD digital signage displays. The wall mount has a 90-degree pivot for use in landscape or portrait position, and can be used in tandem with an HP Compaq 7900 or 8000 Elite USDT PC or compatible HP Thin Client to create a complete hardware solution for HP customers.

The included HP LCD Monitor Quick Release can be used for mounting devices that utilize the 100 mm VESA Flat Display Mounting Interface Standard. The security plate, which is also included, attaches to a compatible HP Thin Client or USDT PC providing an extra layer of security to prevent theft or unwanted access.

Uniquely flexible product configurations

The HP Digital Signage Wall Mount Solution with Quick Release and Security Plate enables uniquely flexible product configuration alternatives in a variety of settings, such as:

Overview - HP Digital Signage Wall Mount Solution

- Ability to install in a variety of commercial applications where an extra large screen is desired.
- Enables bundling with select HP Thin Clients or the HP Compaq 7900 or 8000 Elite USDT PC, directly behind the display, away from view, for a quick and easy comprehensive solution.
- Supports portrait and landscape orientation.
- Supports 40" to 60" display sizes. Weight restrictions may apply.
- Includes tilt friction knobs to retain tilt in any position.
- Includes a locking knob to lock the wall mount in portrait or landscape positions
- Includes a Quick Release for easy mounting and removal of a compatible HP Thin Client or HP USDT PC.
- Includes a security plate to provide added protection to the PC in a public display environment.

Compatible thin clients

HP Compaq t5730w Thin Client Part #: NV267AA, NV267AT, NZ489AA, NV268AA, NV268AT

HP t5740 Thin Client Part #: VU899AA, VU899AT, VU900AA, VU900AT, VU901AA, VU901AT, VU902AA, VU902AT

**HP gt7720 Thin Client Part #: NG814AA, NG814AT, VH004AA

** PC Surface with black screening must face towards the floor in either landscape or portrait orientation of the wall mount.

Compatible PC

HP Compaq dc7900 Ultra-slim Desktop PC, HP Compaq 8000 Elite Series Ultra-slim Desktop PC

Service and support

Your Option Limited Warranty is a one (1) year (HP Option Limited Warranty Period) parts replacement warranty on any HP-branded or Compaq-branded options (HP Options). If your HP Option is installed in an HP Hardware Product, HP may provide warranty service either for the HP Option Limited Warranty Period or the remaining Limited Warranty Period of the HP Hardware Product in which the HP Option is being installed, whichever period is the longer but not to exceed three (3) years from the date you purchased the HP Option.

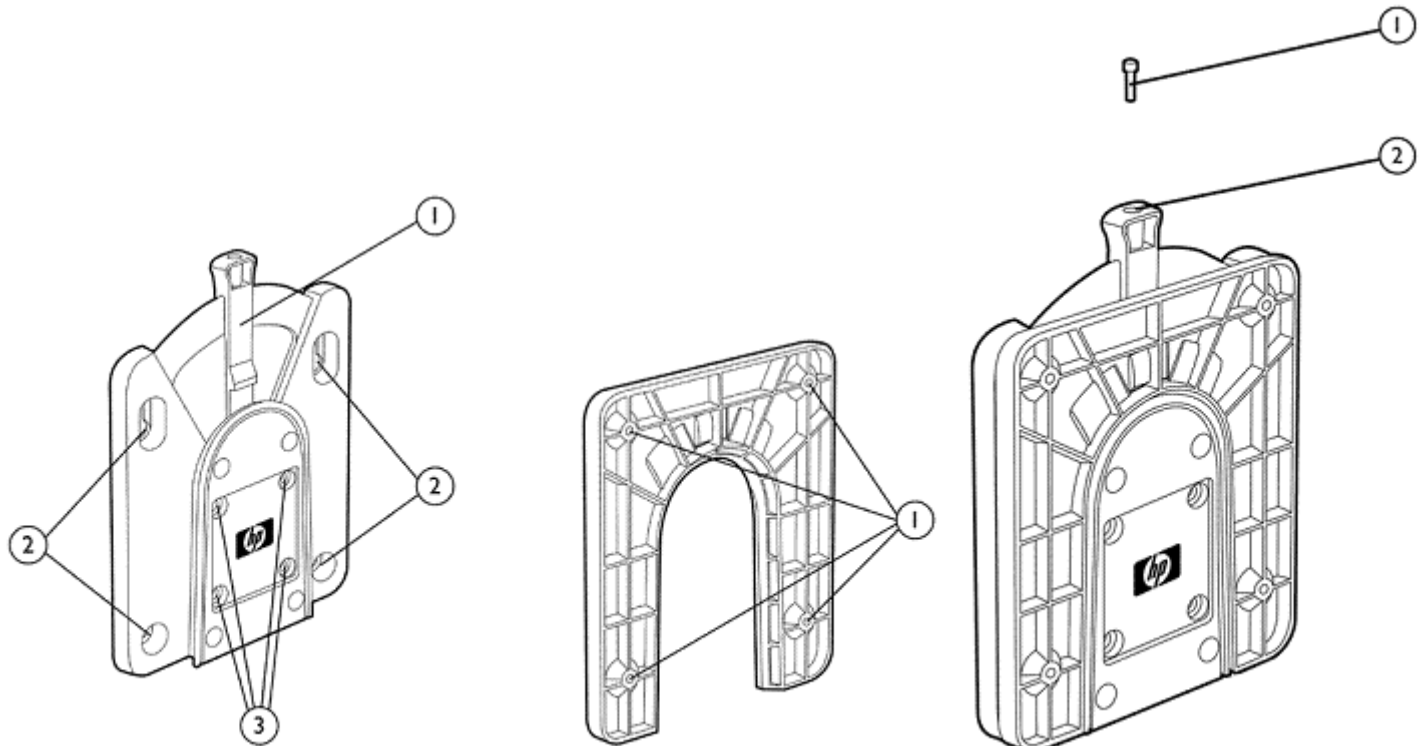
Technical Specifications - HP Digital Signage Wall Mount Solution

Mechanical	Dimensions (H x D x W)	Packaged:	8.9 x 13.0 x 28.3 in (22.5 x 33.0 x 72.0 cm)
	Weight	Packaged:	24.2 lb (11.0kg)
	Weight	Packaged:	27.6 lb (12.5 kg) -includes Quick Release and Security Plate

Supported weight capacity

The HP Digital Signage Display Wall Mount has been designed to support a maximum of up to 115 lbs (52.2 kg) depending upon the mounting configuration used. Please note this is a total weight limit for all devices mounted, i.e. the combined weight of the monitor, CPU, and power supply cannot exceed 115 lbs. Ensure that the wall structure is capable of supporting four times the total weight of mounted equipment. Mounting to wall surfaces that do not meet this criterion may result in an unstable, unsafe condition which could lead to personal injury and/or property damage. HP recommends that you consult with a qualified engineering, architectural or construction professional to ensure that your mounting solution is properly installed to support applied loads.

Overview - HP LCD Monitor Quick Release



1. Release/locking
2. Four 100 mm VESA mount screw holes
3. Mounting holes for attachment to back of monitor stands

1. Four 100 mm VESA mount screw holes

1. Locking pin screw
2. Locking pin hole on release/locking arm

Introduction

The HP Quick Release, which ships standard with the HP Digital Signage Wall Mount Solution with Quick Release and Security Plate, is an easy to use, 100 mm VESA-compliant, flat panel monitor mounting solution that allows you to quickly and securely attach a flat panel monitor to a variety of stands, brackets, arms or wall mounts. HP Quick Release can also be used for mounting any combination of devices that are compatible with the 100 mm VESA Flat Display Mounting Interface Standard. The failsafe "Sure-Lock" mechanism snaps the monitor (or mounted device) securely in place, and can be further secured with a theft-deterrent security screw.

Uniquely flexible product configurations

HP Quick Release enables uniquely flexible product configuration alternatives in a variety of settings, such as:

- Storefronts/kiosks: Mount LCD monitors for easy viewing and add touchscreens for interactivity.
- Trade shows: Securely mount LCD TVs or monitors in common areas and quickly remove them for safekeeping at the end of the day.
- Front office environments: Minimize desk space requirements with wall or swing-arm mounting of monitors in reception areas.
- Training labs: Mount a monitor directly on a 100 mm VESA-compatible PC or an HP Thin Client for all-in-one convenience.
- Medical/institutional settings: Securely mount monitors in nursing stations and public areas.
- Conference rooms: Mount projectors (with 100 mm VESA-compliant pre-drilled holes) on ceilings, and monitors on walls or

Overview - HP LCD Monitor Quick Release

tables.

Technical Specifications - HP LCD Monitor Quick Release

Mechanical	Dimensions (H x W x D)	Packaged:	19.8 x 15.9 x 3.8 cm (7.8 x 6.25 x 1.5 in)
		Unpackaged:	16 x 13.2 x 1.65 cm (6.3 x 5.2 x 0.65 in)
	Weight	Packaged:	0.49 kg (1.1 lb)
		Unpackaged:	0.37 kg (0.82 lb)
Additional components	Eight 10 mm mounting screws (for attachment to VESA compliant monitor mounts) Eight 15.5 mm mounting screws (for attachment to HP Thin Client products) Four 20 mm mounting screws (for attachment to back of select HP flat panel monitor stands) One Quick Release "locking" screw		
Color	Carbonite		
Notes:	<ol style="list-style-type: none">1. No HP monitors allow positioning of a thin client product between a monitor screen and its stand.2. The Quick Release device is not to be used between a monitor screen and its stand unless provided that way from the factory.3. Under no circumstances is the Quick Release device intended to be used in an orientation where the Release/Lock lever is oriented downward.		
Supported weight capacity	The HP Quick Release has been designed to support a maximum of up to 24 lbs (10.9 kg) depending upon the mounting configuration used. Please note this is a total weight limit for all devices mounted, i.e. the combined weight of the monitor and a second device such as an HP Thin Client cannot exceed 24 pounds. Because mounting surfaces vary widely and the final mounting method and configuration may vary, mounting fasteners are not supplied (other than the VESA-compliant screws). HP recommends that you consult with a qualified engineering, architectural or construction professional to determine the appropriate type and quantity of mounting fasteners required for your application and to ensure that your mounting solution is properly installed to support applied loads.		

© 2010 Hewlett-Packard Development Company, L.P. HP shall not be liable for technical or editorial errors or omissions contained herein. The information is provided as is without warranty of any kind and is subject to change without notice. The warranties for HP products are set forth in the express limited warranty statements accompanying such products. Nothing herein should be construed as constituting an additional warranty. All performance specifications are provided by the component manufacturer. Performance specifications represent component manufacturer averages and actual performance may vary.